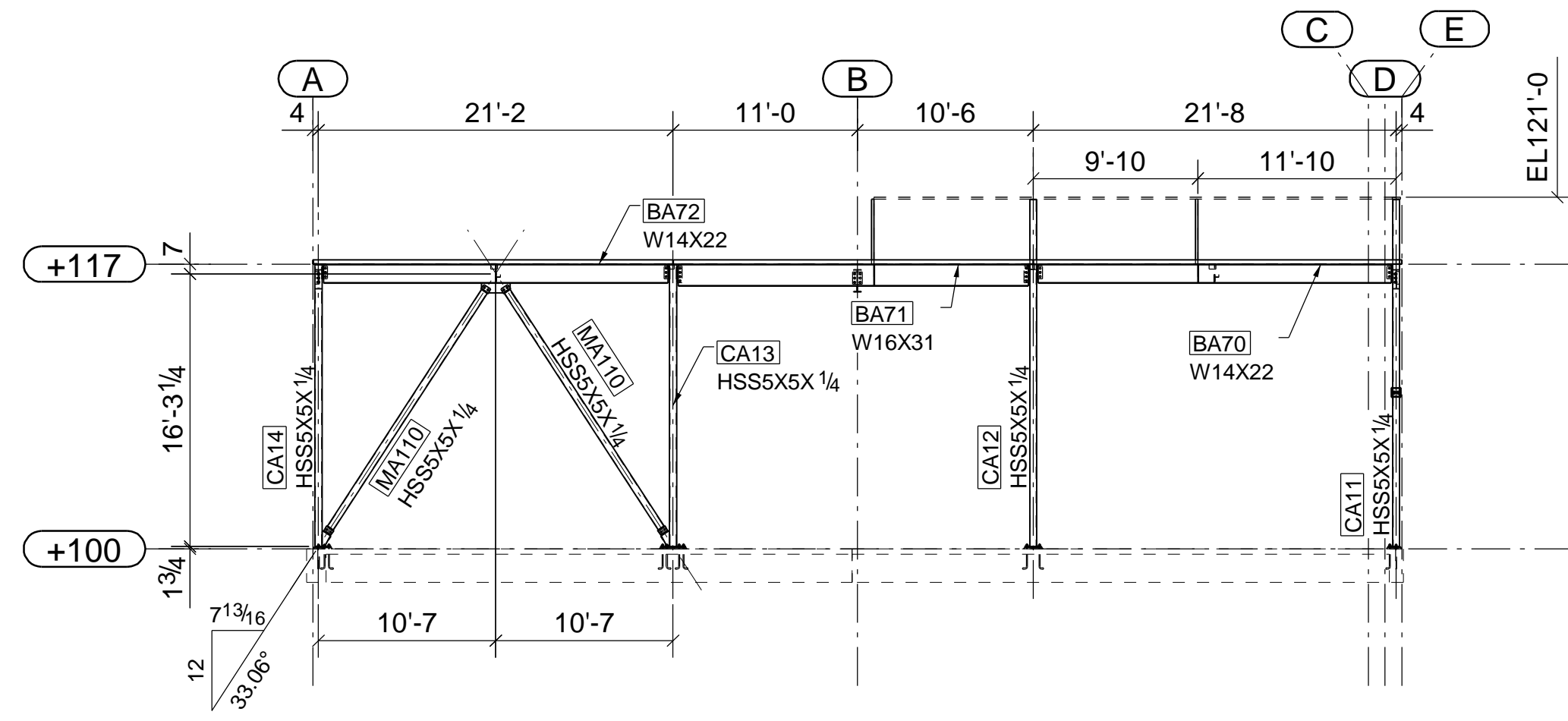
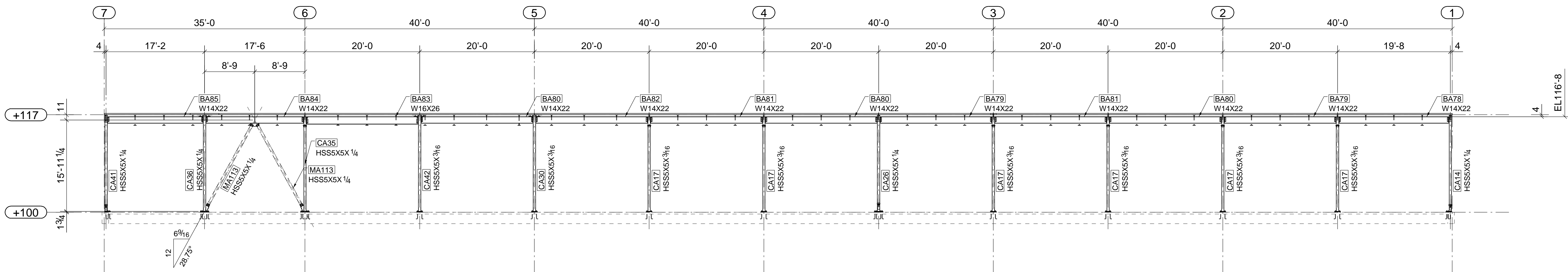


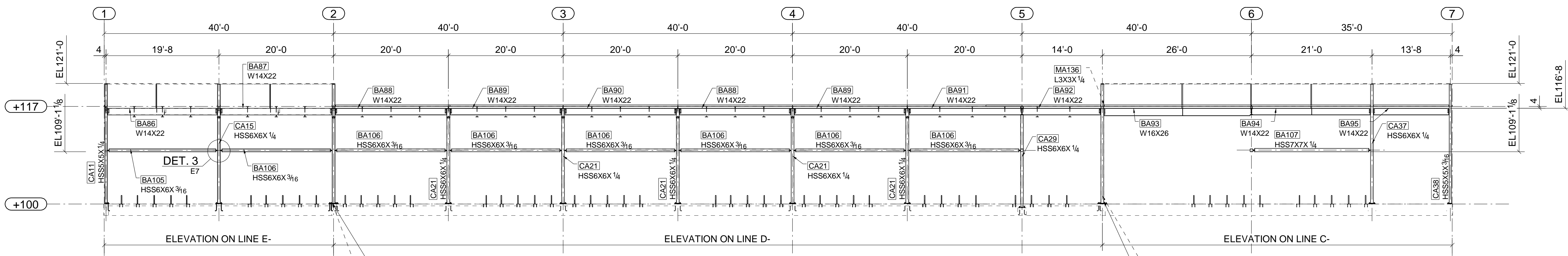
EAST ELEVATION
LOOKING WEST



WEST ELEVATION
LOOKING EAST



NORTH ELEVATION
LOOKING SOUTH



SOUTH ELEVATION
LOOKING NORTH

MATERIAL SPECIFICATIONS UNLESS NOTED:
CHANNELS, ANGLES, PLATES & FLAT BARS TO CSA G40.21M-300W
WIDE FLANGE SHAPES TO CSA G40.21M-350W
HOLLOW STRUCTURAL SECTIONS TO CSA G40.21M-350W CLASS C
PIPE SECTIONS TO ASTM A53 GRADE B.

ADDRESS:
CUST REF:

PAINT: GREY CUSTOMER:
HOLES: 13/16 Ø U/N CONTRACT:

DRWN BY: PC CHK BY: CONTRACT NO.:
DATE DATE

0	PC	08/15/2018	ISSUED FOR CONSTRUCTION
A	PC	07/23/2018	ISSUED FOR APPROVAL
Index	Author	Date	Description

DETAIL: ELEVATION VIEWS
DRAWING NO. E6