

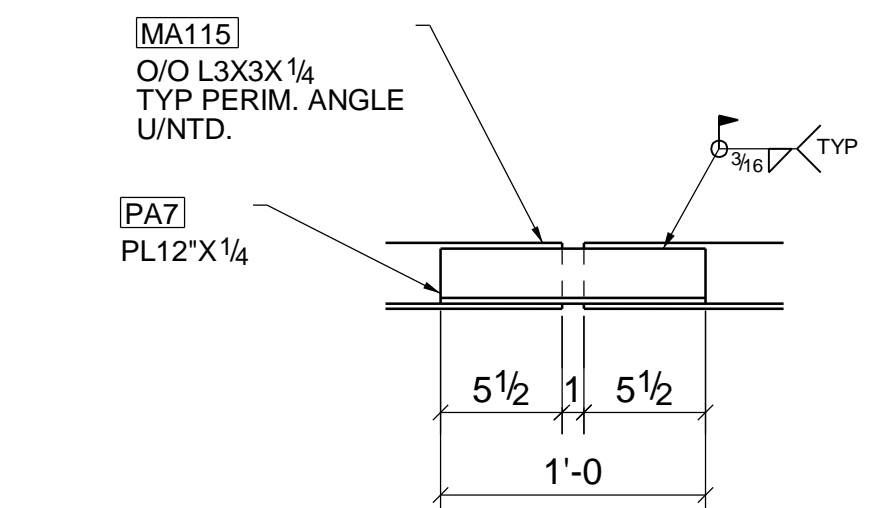
SEE TSE DWG E5
FOR CONTINUATION

PARTIAL ROOF PLAN

SEE ELEVATION DRAWINGS E6 & E7 FOR ALL TOS ELEVATIONS
DENOTES VERTICAL BRACING. SEE ELEVATION DRAWINGS E6 & E7
T.J. DENOTES TIE-JOIST

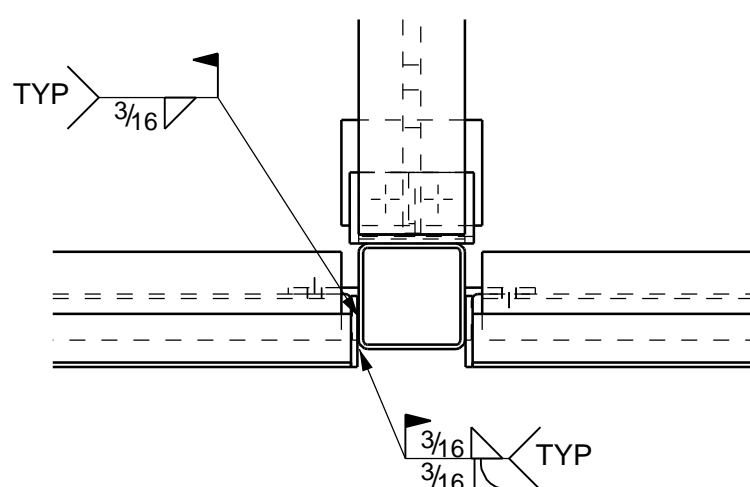
ERECTOR NOTE:
ALL PERIMETER ANGLE IS TO BE CONTINUOUS

ERECTOR NOTE:
CHECK WITH MECH. CONTRACTOR
MECH. OPENINGS MAY ROTATE
180 FROM WHAT IS SHOWN ON
THIS PLAN.

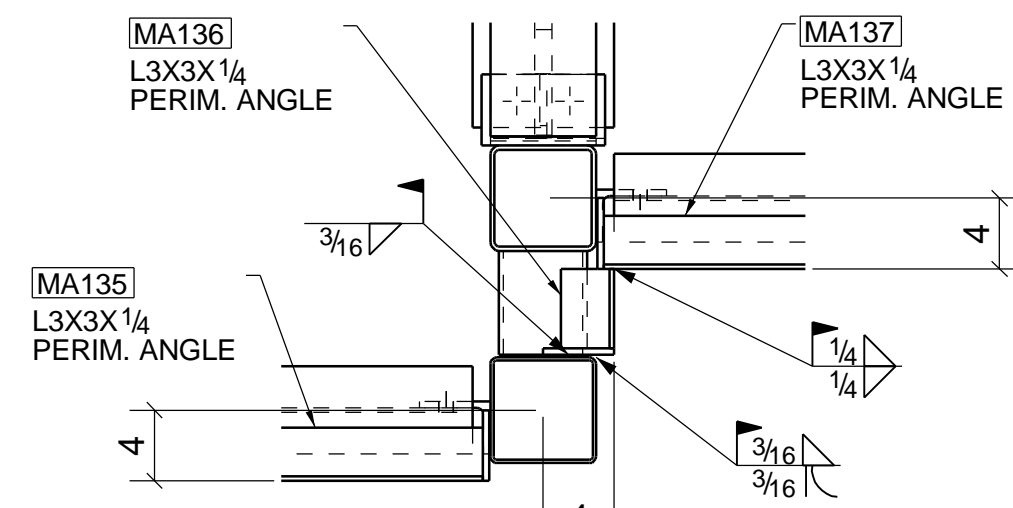


TYP PERIMETER ANGLE SPLICE

MATERIAL SPECIFICATIONS UNLESS NOTED:
CHANNELS, ANGLES, PLATES & FLAT BARS TO CSA G40.21M-300W
WIDE FLANGE SHAPES TO CSA G40.21M-350W
HOLLOW STRUCTURAL SECTIONS TO CSA G40.21M-350W CLASS C
PIPE SECTIONS TO ASTM A53 GRADE B.



DETAIL X1
PERIM. ANGLE @ HI PARAPET COL.



DETAIL X2

Index	Author	Date	Description
1	PC	09/24/2018	MECH. OPENINGS RELEASED
0	PC	08/15/2018	ISSUED FOR CONSTRUCTION
A	PC	07/23/2018	ISSUED FOR APPROVAL

ADDRESS:			
CUST REF:			
PAIN: GREY	CUSTOMER:		
HOLES: 13/16 Ø U/N	CONTRACT:		
DETAIL: PARTIAL ROOF PLAN			
DRWN BY PC	CHK BY DATE	CONTRACT NO.	DRAWING NO. E4