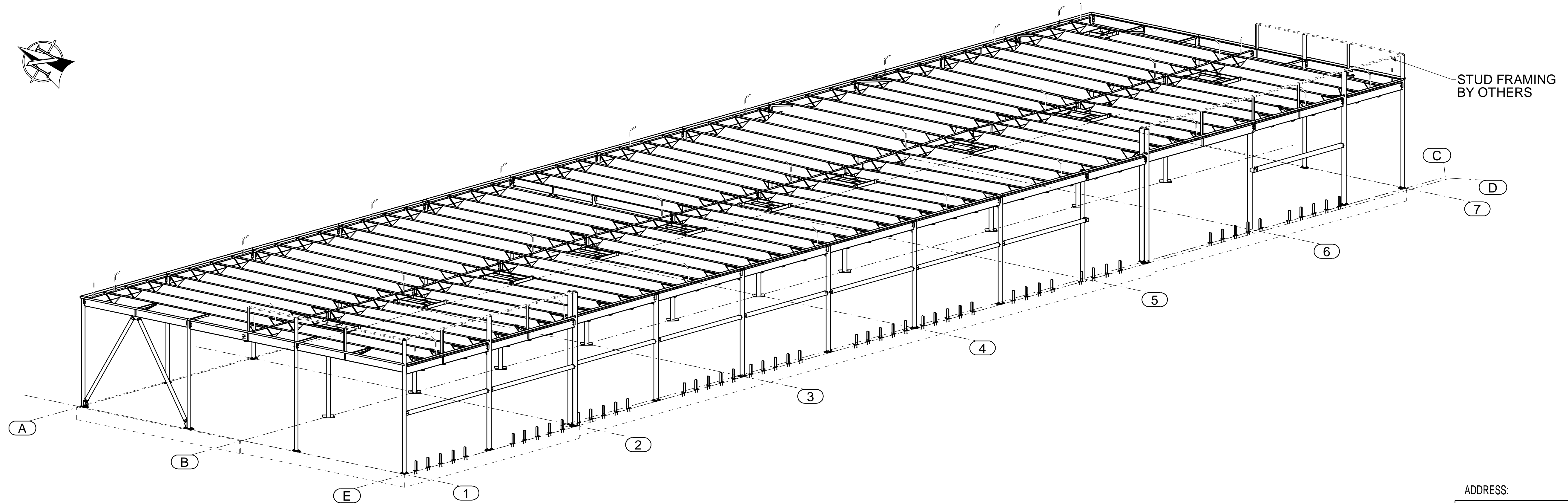


3D VIEW LOOKING NORTHWEST



3D VIEW LOOKING NORTHEAST

MATERIAL SPECIFICATIONS UNLESS NOTED:
 CHANNELS, ANGLES, PLATES & FLAT BARS TO CSA G40.21M-300W
 WIDE FLANGE SHAPES TO CSA G40.21M-350W
 HOLLOW STRUCTURAL SECTIONS TO CSA G40.21M-350W CLASS C
 PIPE SECTIONS TO ASTM A53 GRADE B.

ADDRESS:

CUST REF:

PAINT: GREY CUSTOMER:

HOLES: 13/16 Ø U/N CONTRACT:

DETAIL: 3D VIEWS

DRWN BY CHK BY CONTRACT NO. DRAWING NO.

PC DATE DATE E0

Index	Author	Date	Description
0	PC	08/15/2018	ISSUED FOR CONSTRUCTION
A	PC	07/23/2018	ISSUED FOR APPROVAL