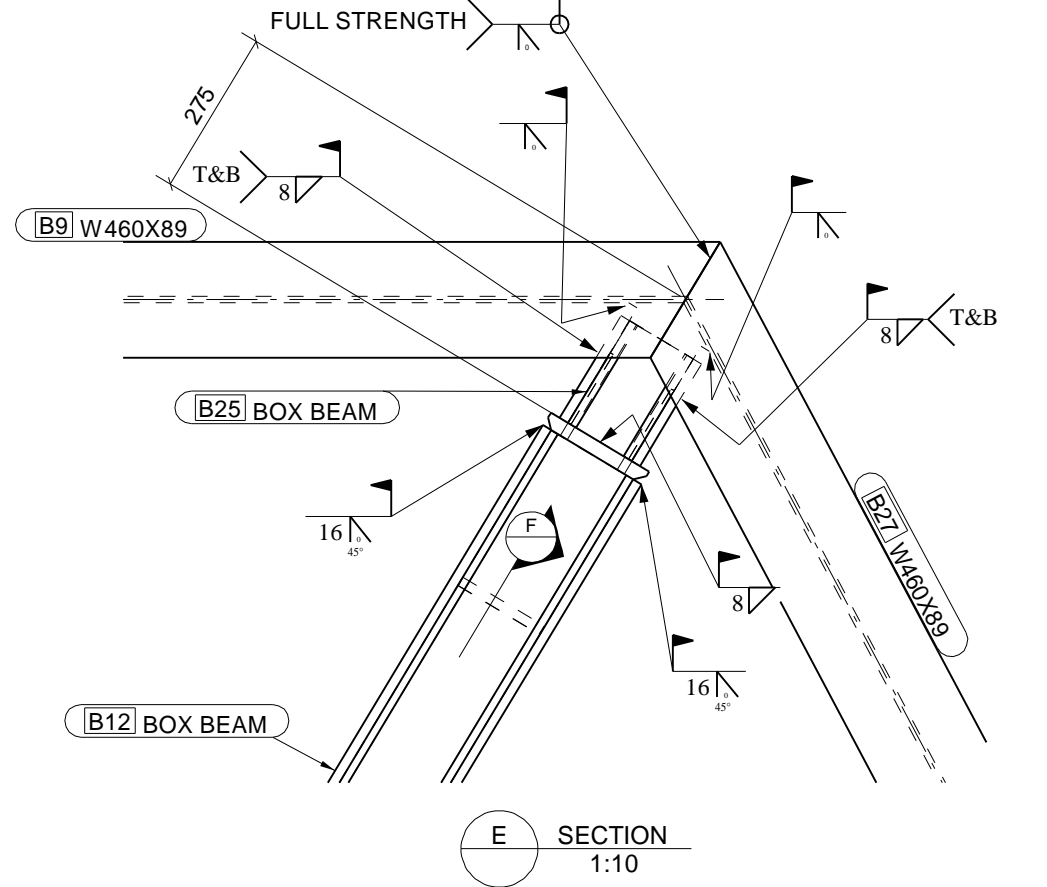


POSSIBLY FIELD WELD THIS STUB TO ALLOW ACCESS TO FULL PEN WELD AT WF CRANK



C	RE-ISSUED FOR APPROVAL	31AUG2015
REV	DESCRIPTION	DATE
PROJECT NAME		
CANOPY SECTIONS		
DRAWN BY	PC	JOB No. DRG No.
DATE DRAWN	JUNE 5 2015	E5