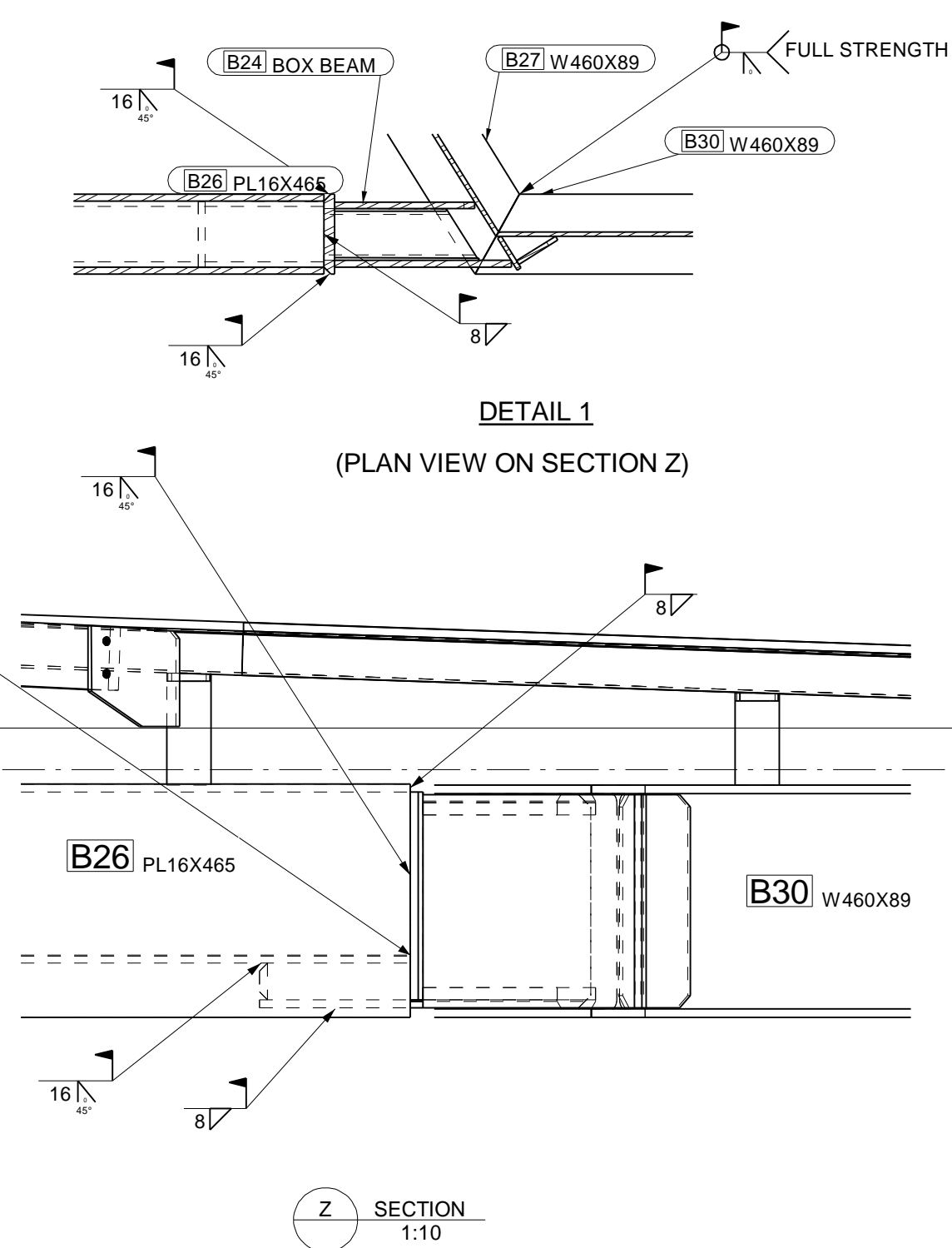


1 PLAN AT U/S STEEL ELEV. 82360



Z SECTION 1:10

C	RE-ISSUED FOR APPROVAL	31AUG2015
REV	DESCRIPTION	DATE
PROJECT NAME		
DESCRIPTION PLAN ON CANOPY		
DRAWN BY	PC	JOB No. DRG No.
DATE DRAWN	JUNE 3 2015	E3